



REDBLOCK

Device, that extends lifetime of the rope when top-roping. Ideal partner for adventure parks, rope courses and climbing gyms.

DESCRIPTION

Sideplates made of light alloy, pulley block made of stainless steel.

Strength 26 kN.

Rope diameter max. 12 mm.



Attachment point allows the device do be installed in two different positions.

For better traceability and inspection recording the REDBLOCK is marked with the unique production number.

Pins keep the rope in correct position.

KEY FEATURES

- allows to be installed in two axes
- rope diameter max. 12 mm
- strength 26 kN

STANDARDS

CE 1019

FEATURES



≤ 12 mm



strength
26 kN



375 g



unique
number



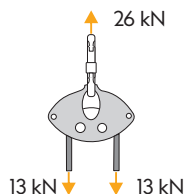
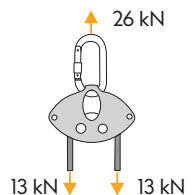
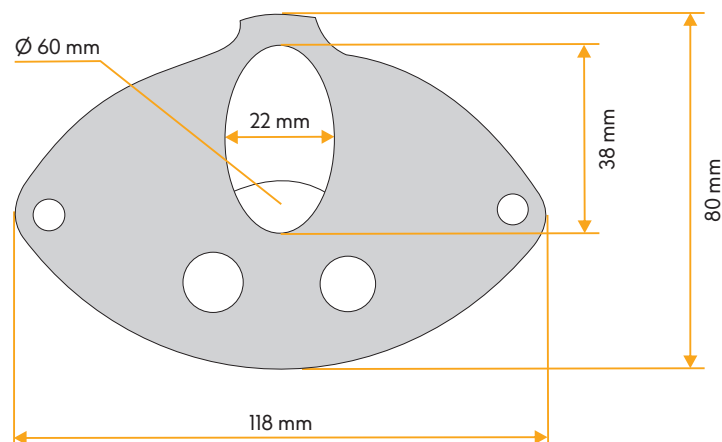
guarantee

MATERIALS



- 70 % stainless steel
- 30 % light alloy

TECHNICAL DATA



MAINTENANCE

Lifetime of this product is not strictly limited. Depending on the condition of the product and its history it may be necessary to retire it immediately.



beware of salt



washing



drying



silicon
oil



read
instructions