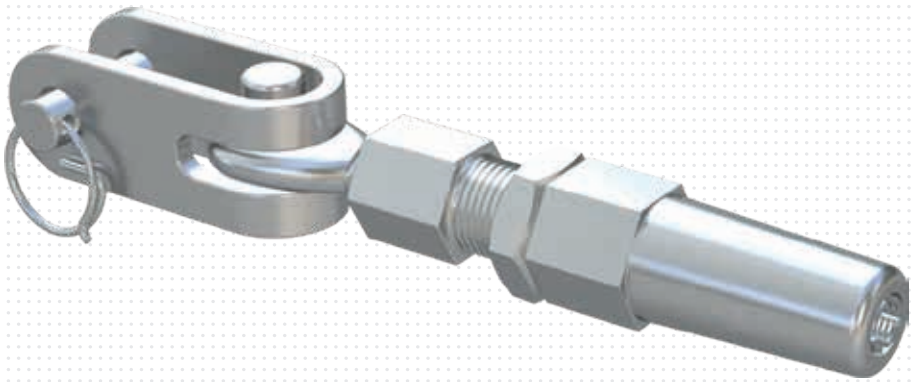


ABS Gabelkopf (lose) / ABS clevis (loose)

SY-1008 / SY-1008A



MoA 246-01



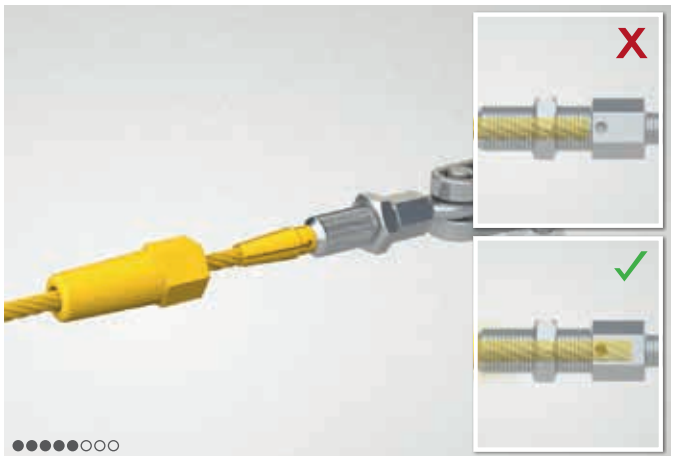
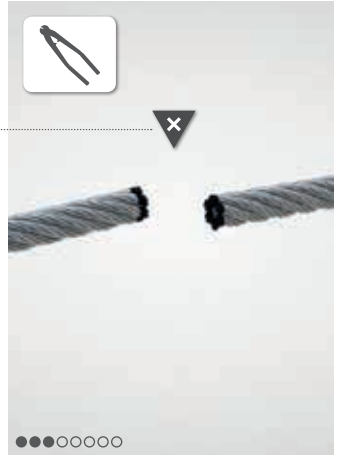
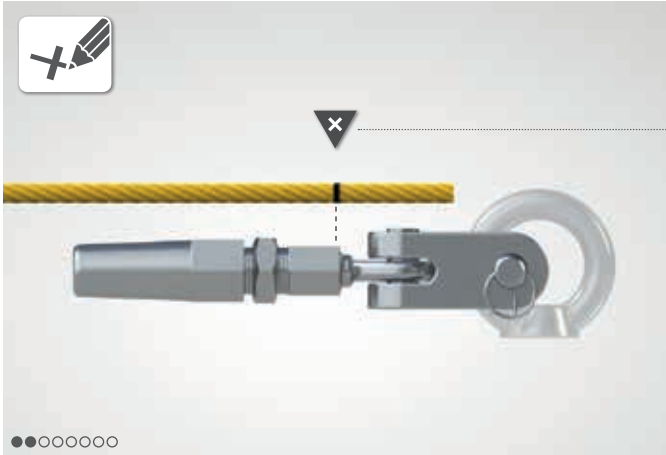
DIN CEN / TS
16415:2013

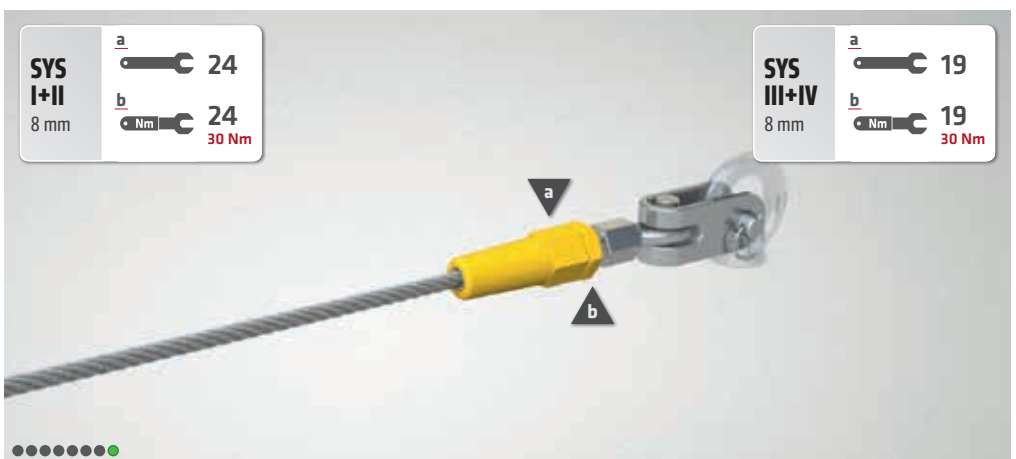
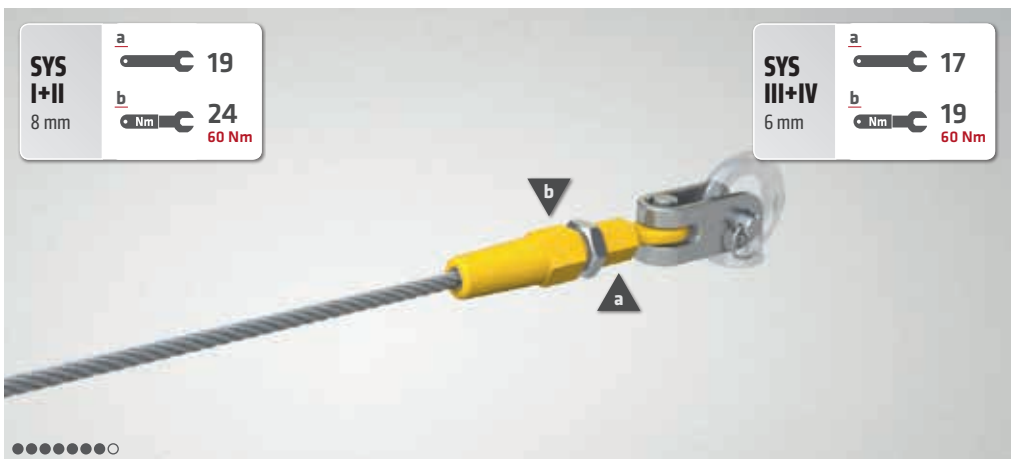


DIN EN 795:
2012



2 | ABS Gabelkopf (lose) / ABS clevis (loose)
SY-1008 / SY-1008A





ALWAYS ON TOP!

ABS Safety GmbH

Gewerbering 3
D-47623 Kevelaer
Germany

Tel.: +49 (0) 28 32 - 972 81 - 0
Fax: +49 (0) 28 32 - 972 81 - 29

info@absturzsicherung.de

www.absturzsicherung.de
www.protection-anti-chute.fr
www.fall-arrest.eu



[instagram.com/abssafety](https://www.instagram.com/abssafety)



[youtube.com/abssafetygmbh](https://www.youtube.com/abssafetygmbh)



[facebook.com/ABS.Safety](https://www.facebook.com/ABS.Safety)